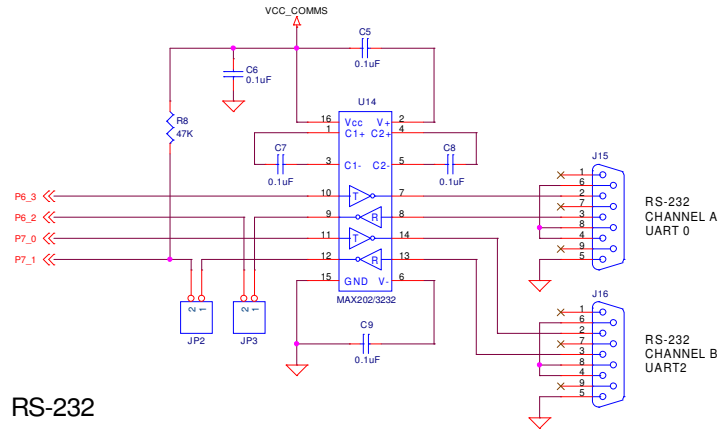


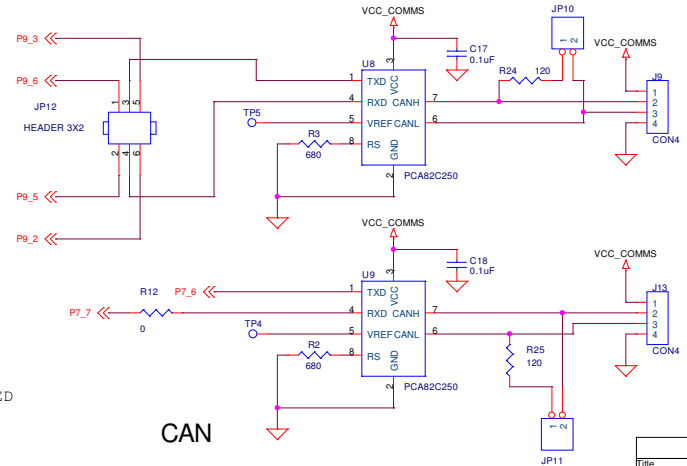
LIN

RS-232



RS-232 CHANNEL A  
UART 0

RS-232 CHANNEL B  
UART 2



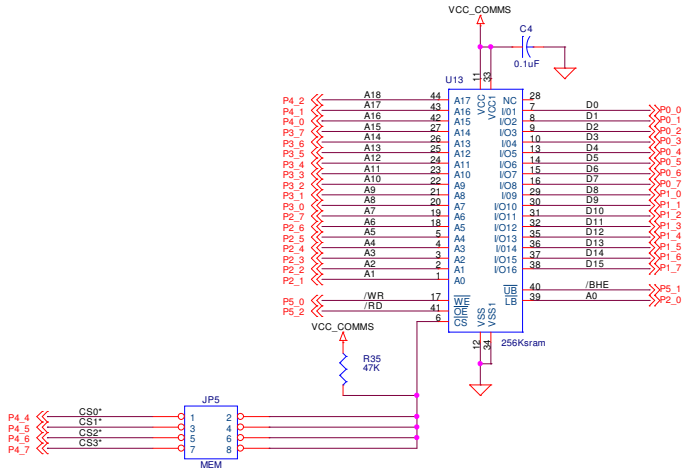
CAN

**NOTES**

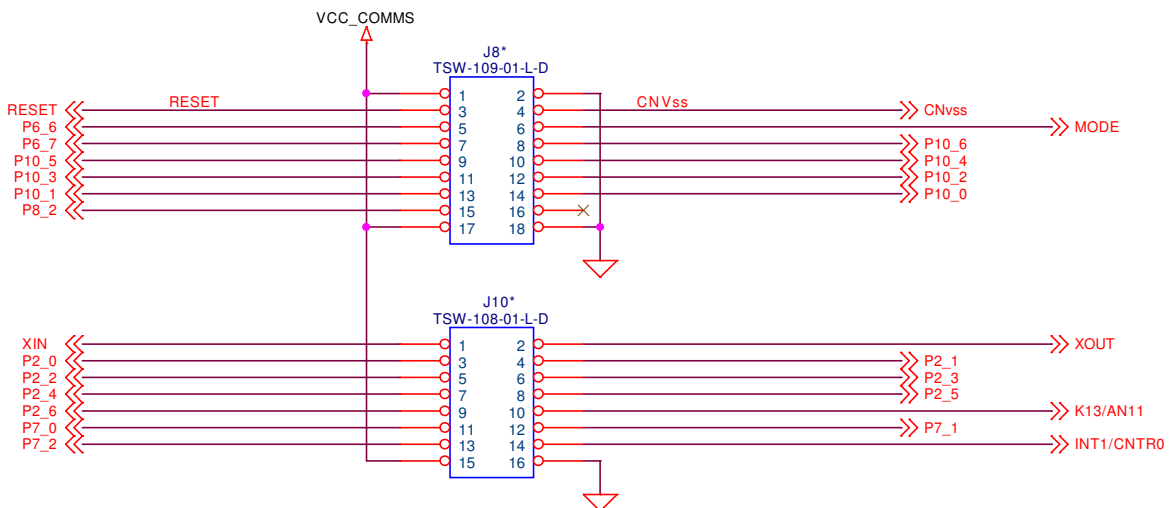
\* AFTER PART NUMBER INDICATES PART IS NOT POPULATED

Title		
CAN, LIN, UART		
Size	Document Number	Rev
B	RDECE16C.DSN	D
Date:	Friday, June 04, 2004	Sheet 1 of 6





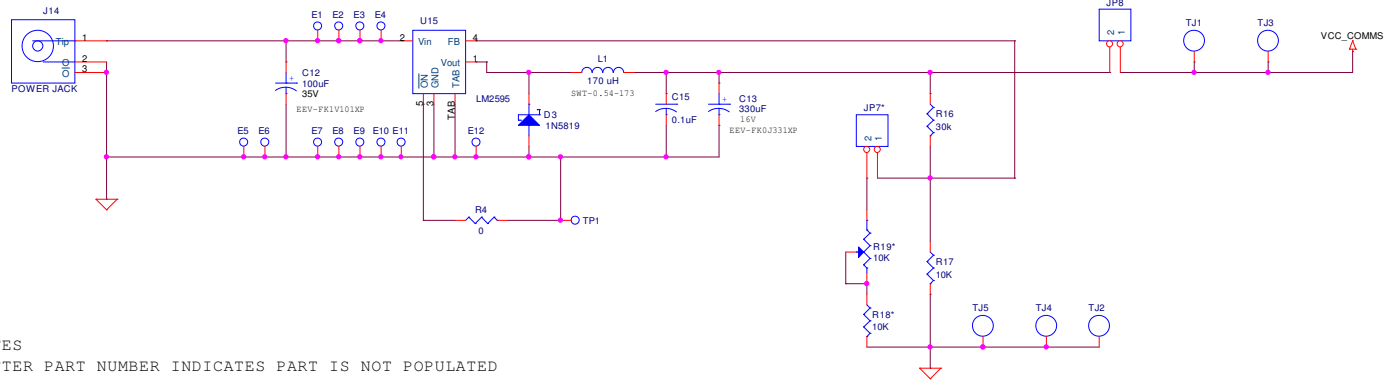
Title		MEMORY	
Size	Document Number	RDECE16G.DSN	
B			Rev D
Date:	Friday, June 04, 2004	Sheet	3 of 6



NOTES

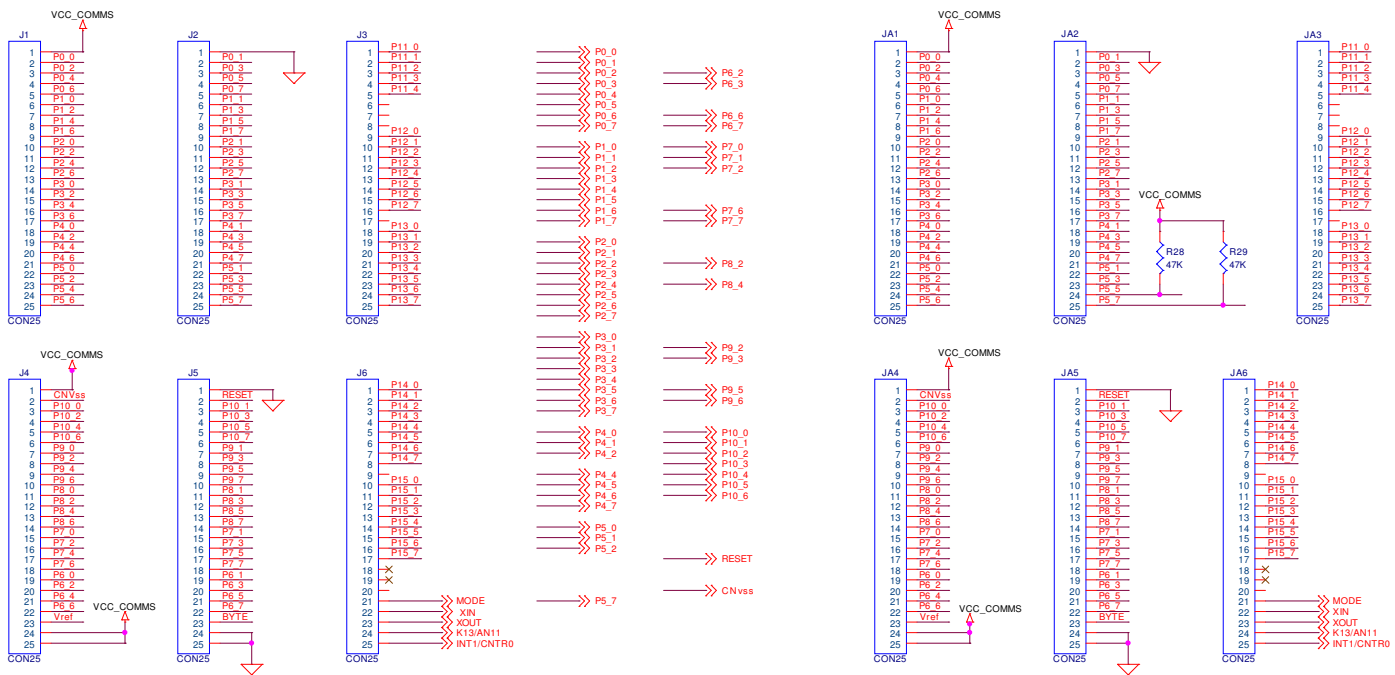
\* AFTER PART NUMBER INDICATES PART IS NOT POPULATED

Title			
MINI HEADER			
Size	Document Number	Rev	
A	RDECE16C	B	
Date:	Friday, June 04, 2004	Sheet	4 of 6



NOTES  
 \* AFTER PART NUMBER INDICATES PART IS NOT POPULATED

Title		POWER SUPPLY	
Size	Document Number	RDECE16C	Rev
B			B
Date:	Friday, June 04, 2004	Sheet	5 of 6



Title			PS HEADERS
Size	Document Number	RDECE16C	
B			Rev B
Date:	Thursday, August 05, 2004	Sheet	6 of 6