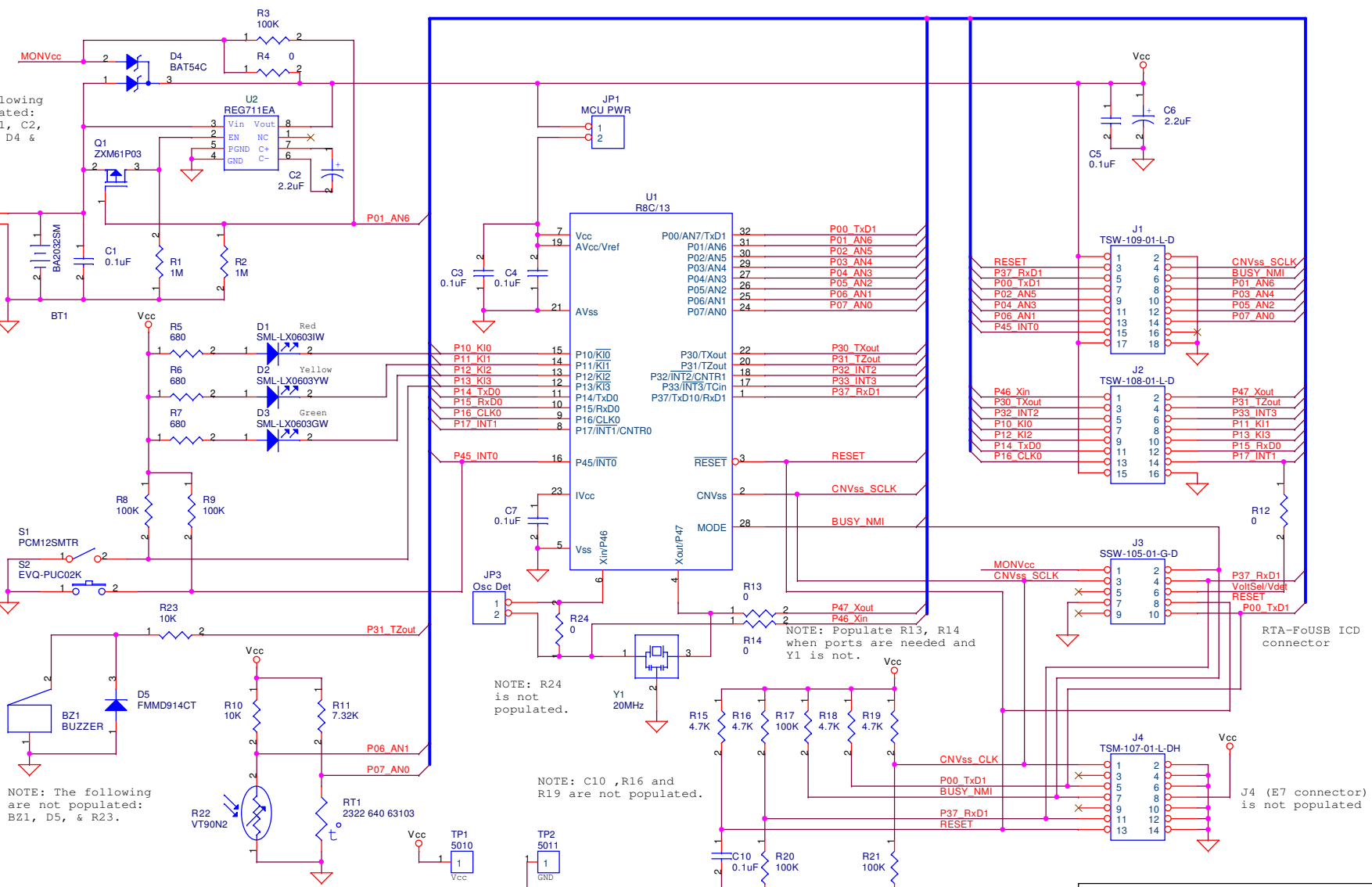


NOTE: The following are not populated:
R1, R2, R3, C1, C2, U2, Q1, BT1, D4 & JP2.



NOTE: The following are not populated:
BZ1, D5, & R23.

NOTE: R24 is not populated.

NOTE: C10, R16 and R19 are not populated.

NOTE: Populate R13, R14 when ports are needed and Y1 is not.

NOTE: R20 is to pull RxD low - it is used by FoUSB-ICD to detect if R8C is running or stopped.

Title		
Mini R8C13 Board		
Size B	Document Number	Rev 1.1
Date:	Thursday, October 14, 2004	Sheet 1 of 1