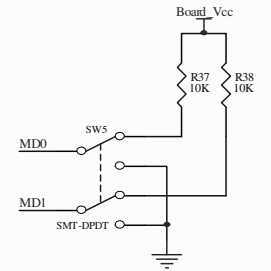
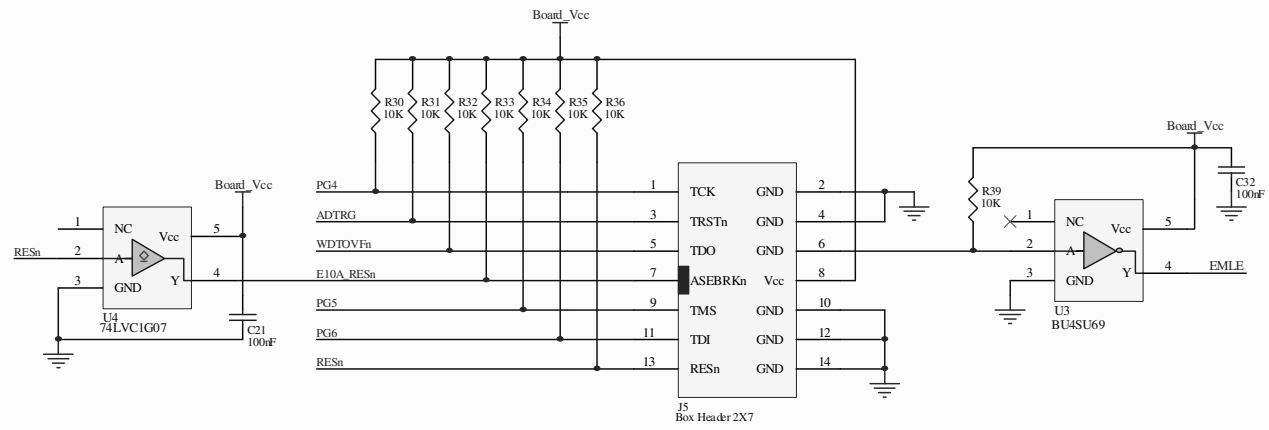
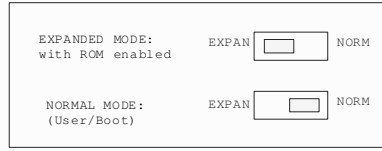
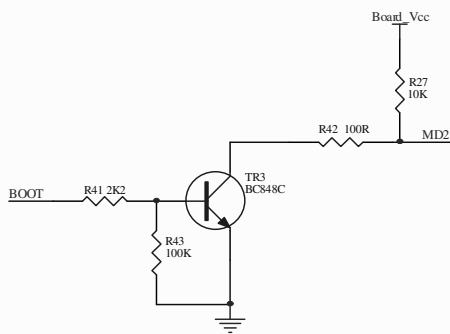
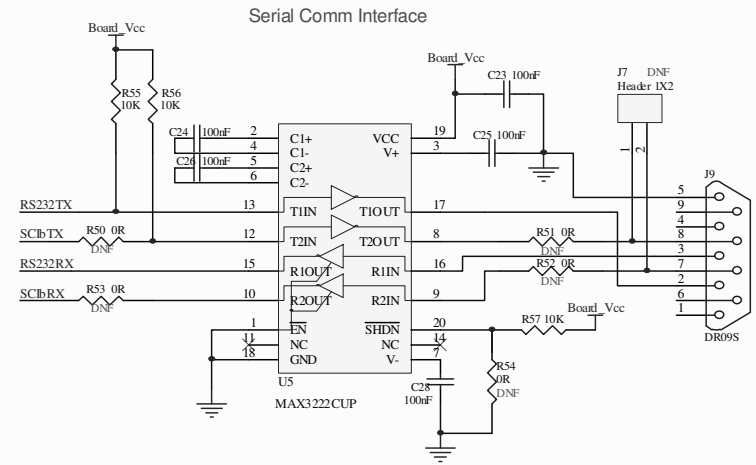
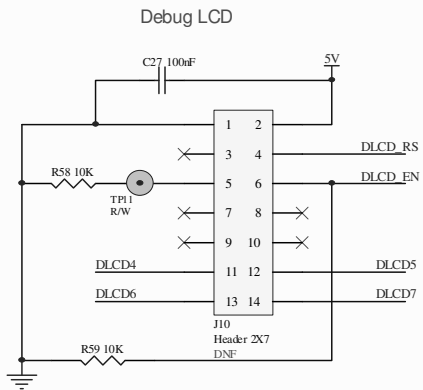
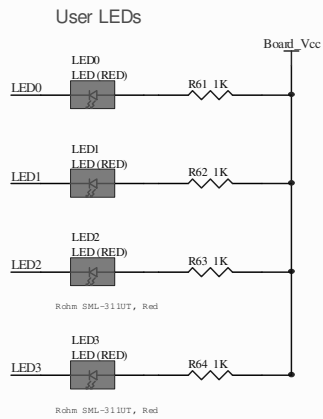
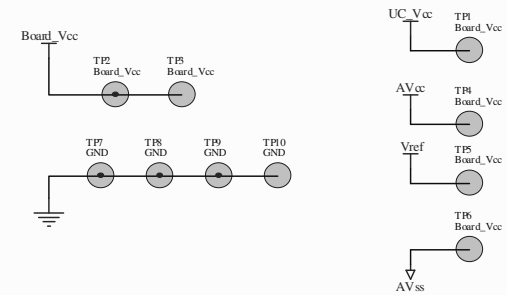
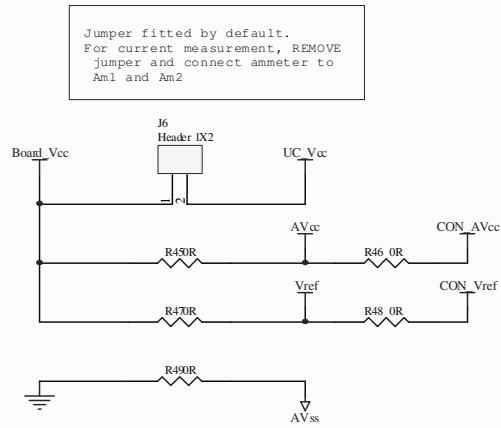
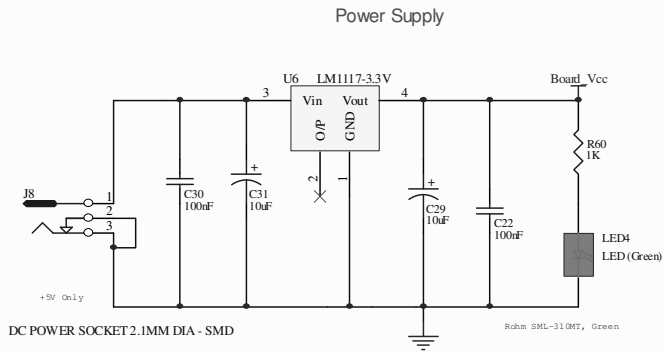


E10A & Mode Switching

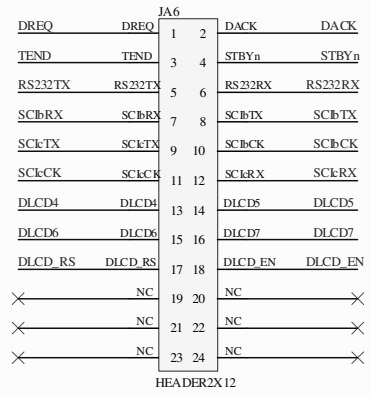
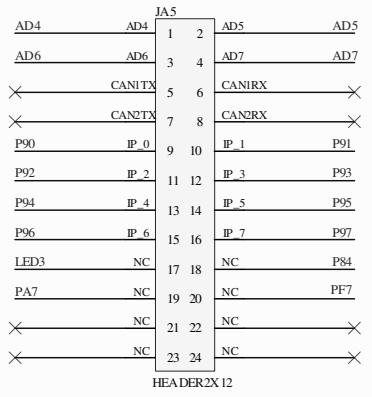
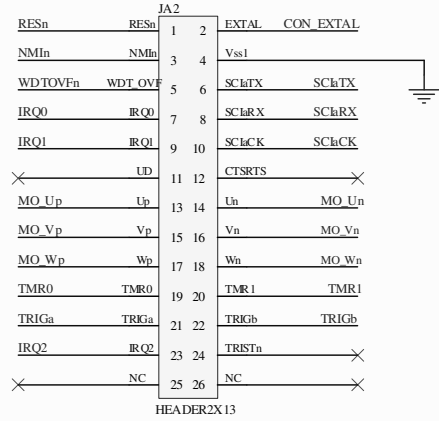
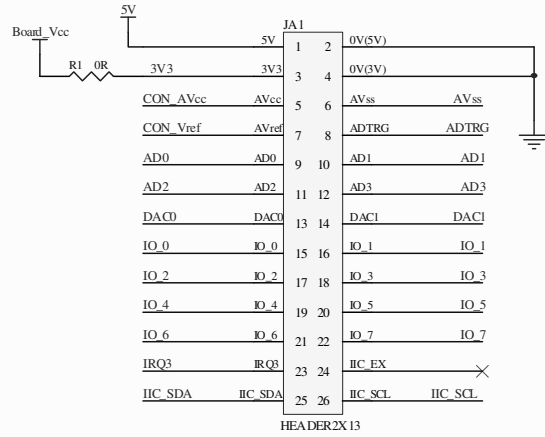


RENASAS SYSTEM SOLUTION ASIA PTE LTD		
Title RSKH8S2377/8		
Size B	Number ROK42377FC00BA	Revision 1.0
Date: 29/09/2006	Sheet 2 of 6	
File: F:\Projects\2 - E10A & Mode Switching \$Drawn By: JOSEPH KWOK		

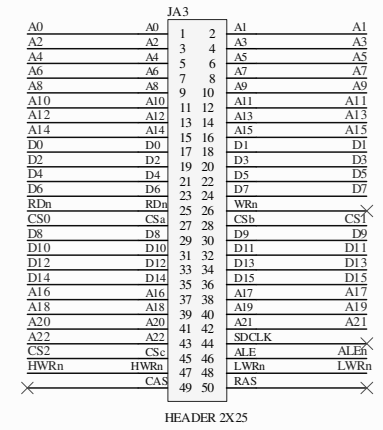


RENESAS SYSTEM SOLUTION ASIA PTE LTD		
Title RSKH8S2377/8		
Size B	Number ROK42377FC000BA	Revision 1.0
Date: 29/09/2006	Sheet 3 of 6	
File: F:\Projects\3 - Miscellaneous\SCH	Drawn By: JOSEPH KWOK	

Functional Connectors

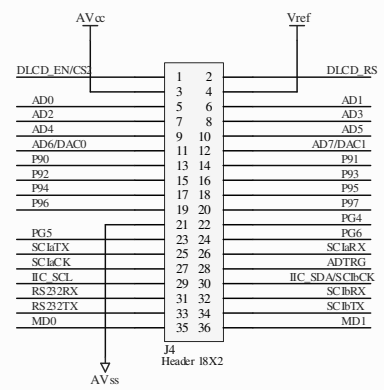
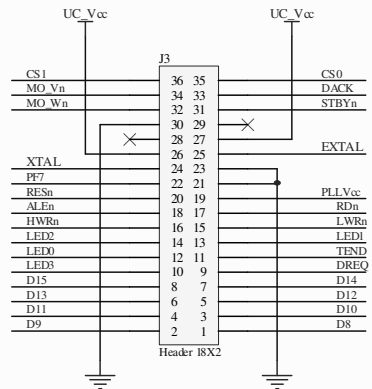


Address Bus Connector

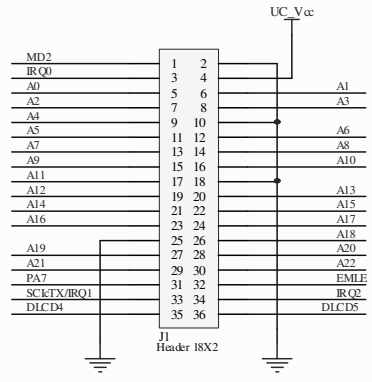
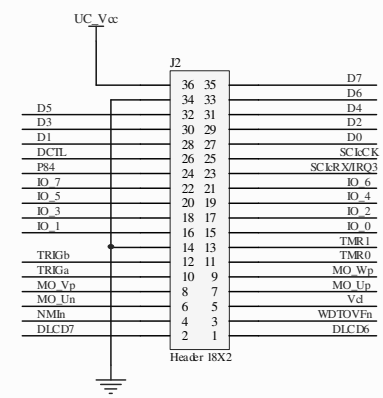


RENESAS SYSTEM SOLUTION ASIA PTE LTD

Title RSKH8S2377/8		
Size B	Number ROK42377FC000BA	Revision 1.0
Date: 29/09/2006	Sheet 4 of 6	
File: F:\Projects\14 - Application Headers.SCH	Drawn By: JOSEPH KWOK	



Microcontroller Ring Connectors



RENASAS SYSTEM SOLUTION ASIA PTE LTD		
Title RSKH8S2377/8		
Size B	Number ROK42377FC00BA	Revision 1.0
Date: 29/09/2006	Sheet 5 of 6	
File: F:\Projects\15 - Ring Connectors.SCH	Drawn By: JOSEPH KWOK	