

REV	REF	DATE	DRAWN BY
1	---	07.06.2010	SHN
2	ECR#235	20.07.2010	SHN

RPBR8CM12A RENESAS PROMOTIONAL BOARD

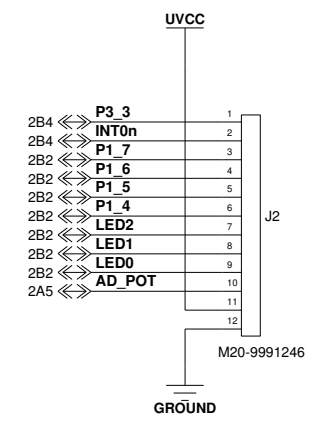
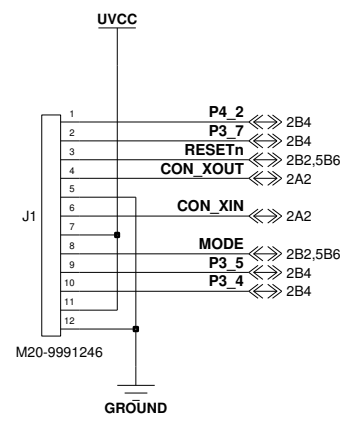
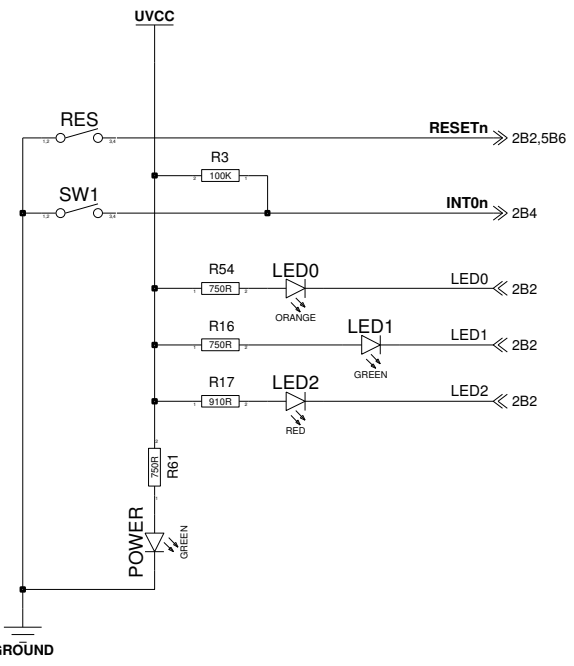
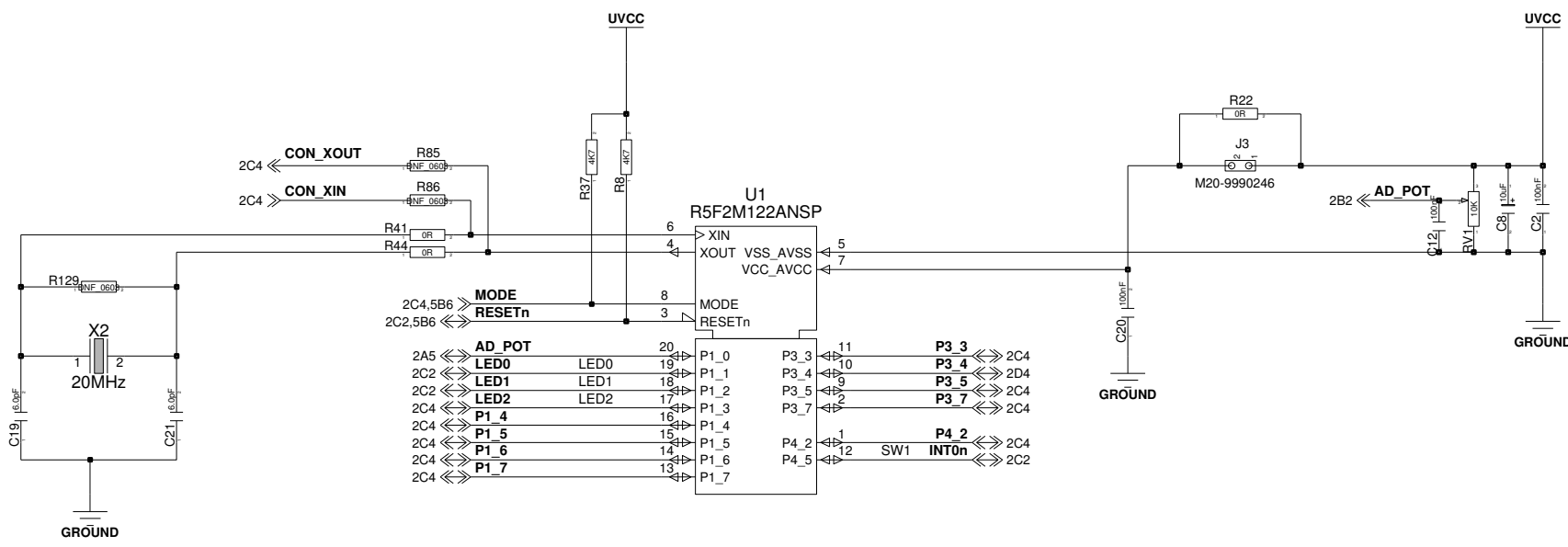
PAGE	DESCRIPTION
1	Index
2	Microcontroller
3	E8A Circuit

Note :

- R** : Resistor
- RV** : Potentiometer
- L** : Inductor
- U** : Integrated Circuit
- X** : Crystal
- RES** : Reset Switch
- SW** : Switch
- LED** : Light Emitting Diode
- J** : Connector

SIZE A4

RENESAS TECHNOLOGY EUROPE LTD Dukes Meadow, Bourne End, Buckinghamshire UNITED KINGDOM				
SCHEMATIC TITLE RPBR8CM12A				
SHEET TITLE Index				
DRAWN BY SHN	DATE 20-07-10	REV 2	DRAWING NUMBER D009902_04	PAGE 1/3



SIZE A4

RENESAS TECHNOLOGY EUROPE LTD
 Dukas Meadow, Bourne End, Buckinghamshire
 UNITED KINGDOM

SCHEMATIC TITLE
RPBR8CM12A

SHEET TITLE
Microcontroller

DRAWN BY SHN	DATE 20-07-10	REV 2	DRAWING NUMBER D009902_04	PAGE 2/3
------------------------	-------------------------	-----------------	-------------------------------------	--------------------



OPERATION	SW2-1	SW2-2	SW2-3	SW2-4	1 2 3 4
DEBUG - Power supplied from USB=5V UVCC = 5V Only	ON	ON	ON	ON	<input type="checkbox"/> <input type="checkbox"/> <input type="checkbox"/> <input type="checkbox"/> ON <input type="checkbox"/> <input type="checkbox"/> <input type="checkbox"/> <input type="checkbox"/> OFF
DEBUG - Power supplied from J1 or J2 UVCC = 5V or 3V3	OFF	ON	ON	ON	<input type="checkbox"/> <input type="checkbox"/> <input type="checkbox"/> <input type="checkbox"/> ON <input type="checkbox"/> <input type="checkbox"/> <input type="checkbox"/> <input type="checkbox"/> OFF
NO DEBUG - Power supplied from USB=5V UVCC = 5V Only	ON	OFF	OFF	OFF	<input type="checkbox"/> <input type="checkbox"/> <input type="checkbox"/> <input type="checkbox"/> ON <input type="checkbox"/> <input type="checkbox"/> <input type="checkbox"/> <input type="checkbox"/> OFF
NO DEBUG - Power supplied from J1 or J2 UVCC = 5V or 3V3	OFF	OFF	OFF	OFF	<input type="checkbox"/> <input type="checkbox"/> <input type="checkbox"/> <input type="checkbox"/> ON <input type="checkbox"/> <input type="checkbox"/> <input type="checkbox"/> <input type="checkbox"/> OFF

SIZE A4

RENESAS TECHNOLOGY EUROPE LTD
Dukes Meadow, Bourne End, Buckinghamshire
UNITED KINGDOM

SCHEMATIC TITLE
RPBR8CM12A

SHEET TITLE
E8A Circuit

DRAWN BY SHN	DATE 20-07-10	REV 2	DRAWING NUMBER D009902_04	PAGE 3/3
------------------------	-------------------------	-----------------	-------------------------------------	--------------------