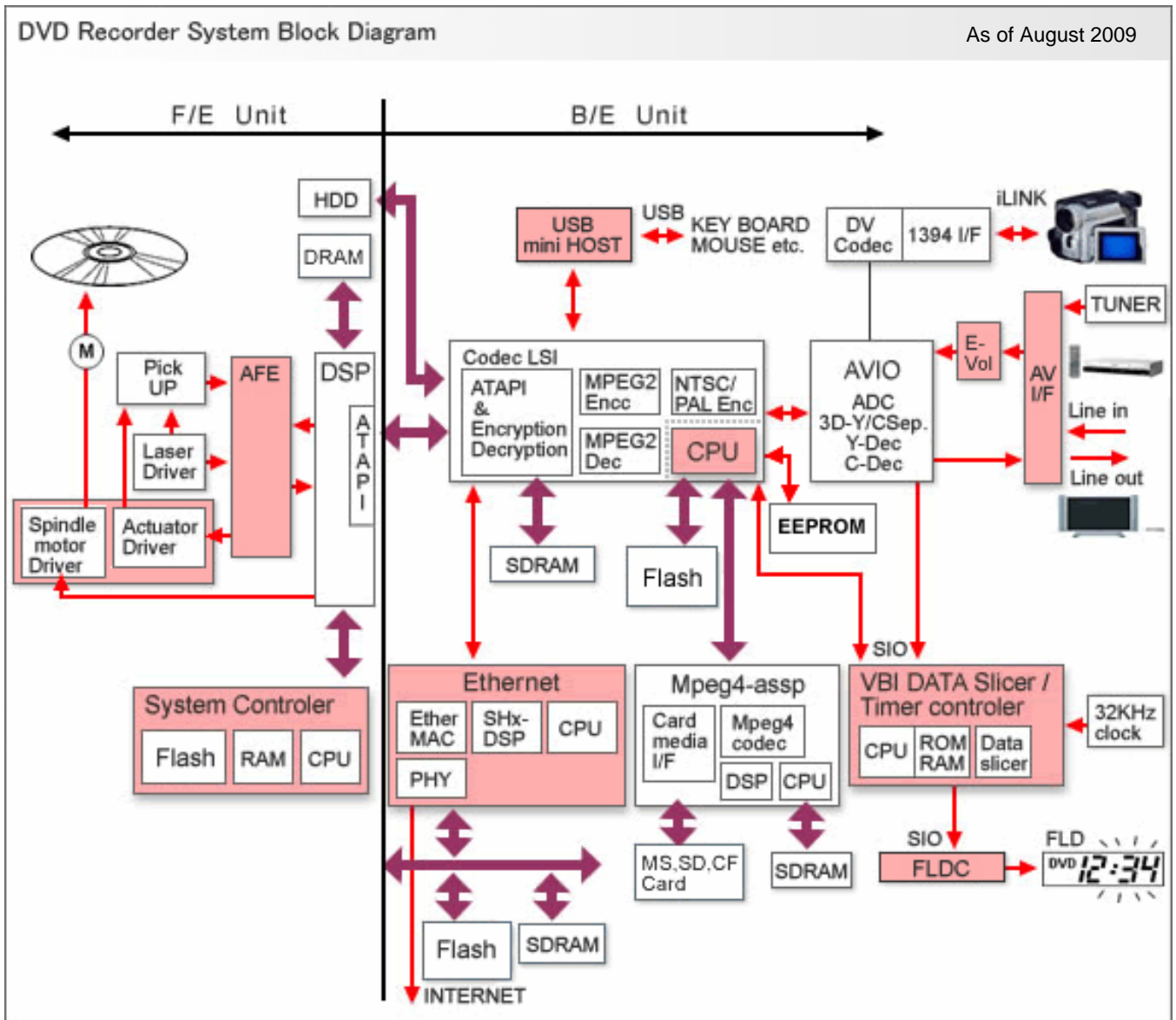


Solution for DVD recorder

This system diagram only shows a sample configuration. Refer to the data sheet, etc. for performance and other attributes. Reproduction prohibited.

Block Diagram



Recommended Device

As of August 2009

Block	Semiconductor device	Recommended product name	Features, etc.
F/E	Motor driver	M63043FP	SPM+5ch
	AFE	HD153722	Low power & High Speed
	System controller	H8S, H8SX, M16C, M32C	16 or 32-bit CPU or MPU
	D/A Converter	M62342, M62343	8bit 2ch/3ch D/A Converter
B/E	CPU	SH-2, SH-3, SH-4	32-bit RISC MPU
	Ethernet controller	SH7619	SH2 with ether MAC & PHY
		SH7670	SH2 with ether MAC (External PHY)
	VBI data slicer/timer MCU	M16C/6H	VBI data slicer & 16-bit MCU
	FLDC	M66005AHP	5 x 7 dot VFD controller with serial bus
	USB controller	M66596FP/WG	Hi-speed USB2.0 (480 Mbps) Embedded Host
	EEPROM		R1EX24xxxA series
R1EX25xxxA series			SPI-bus
Audio processing	Electronic volume	M61534FP	Electronic volume with built-in high performance limiter and compressor circuits
AV I/F	AV I/F	NTSC: R2A11053FP	Processing of analog input and output signals of video and audio integrated into single chip. Interface IC for combination models with PAL/NTSC and their format VCR.
		PAL: HA118326APF, R2A11055FP	
Various peripheral controllers (USB devices)	USB ASSP	M66591, 2	High speed USB device, small package
		M66596	High speed USB Host, small package
	Zener Diodes	RKZ6.8Z4MFAKT	5-terminal (4 device) low capacitance (4pF), Low capacitance (4 pF) optimal for use in USB terminal surge absorption
General use surge absorption, circuit protection, etc.	Zener diodes	HZM6.2ZMWA others	3-terminal (2 device), High ESD tolerance optimal for use in surge absorption
		RKZxxKG/KJ Series	2-terminal SMD, High ESD tolerance optimal for use in surge absorption
	Switching diodes	HSC119, HSD119	2-terminals SMD
Power supply	DC/DC Converter	R2A20047	Load change fast response
		RJK5026DPP	TO-220 insulated package

Homepage and Support

Renesas Technology Homepage ----- <http://renesas.com/>
 Contact Us ----- <http://renesas.com/inquiry>

Latest application information on here.

<http://www.renesas.com/applications>