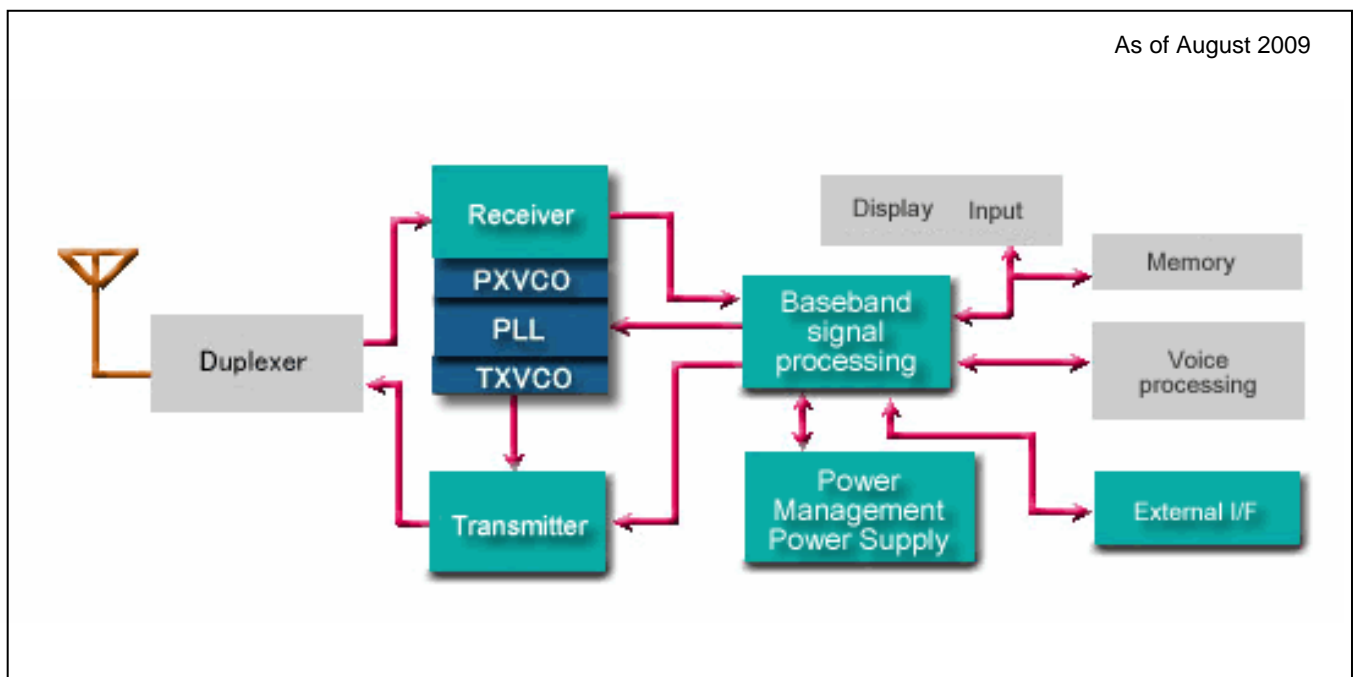


# Solution for Cellular Phone (GSM)

## Outline

The GSM standard is used by the largest number of users globally. Renesas offers full support for this and offers the majority of semiconductors used in this field, including RF component RF power amps and front end ICs, diodes, transistors, base band components and power management component ICs.

## System Block Diagram



## Recommended Device

As of August 2009

Block	Semiconductor	Recommended Product	Other Characteristic
Antenna Sw itch	Diode	RKV652KL	High capacitance ratio
Transmission	HPA	RPF08157B	For GPRS, Built-in APC, Quad Band
		RPF09036B	For EDGE, Polar Loop, Quad Band
	Diode	HSD278, HSL278	Compact slimline package, low capacity, low VF
		HSD276A, HSL276A, RKD751KP	
	HSC88, HSD88		
Receiver	RFIC	R2A60168NP	For GPRS, Low consumption Electric Current, Quad Band
		R2A60167BG, R2A60177BG	For EDGE, Polar Loop, Quad Band
TXVCO	Diode	RKV606KP others	Compact slimline package, low capacity
		RKV605KP	
RXVCO	Diode	RKV606KP others	Compact slimline package, low capacity
		RKV605KP	
Pow er Supply	Diode	HRV103A, B	Compact slimline package, low VF & IR
		RKR104BKH	
		RKR0505A/ BKH	
		RKR0703BKH	
	Pow er MOS	HAT1069C	Compact slimline package, low loss
	POL (Point of Load)	R2A20101	High speed response at load current conversion time Pow er MOS FET onchip
External VF	Diode	RKZ6.8ZMFAKT	Compact slimline package, Low capacitance (4 pF) optimal for use in USB terminal surge absorption
		RKZ6.8Z4MFAKT	
Signal Processing	Diode	RKZxxKJ/KK/KL/KP Series	High ESD tolerance optimal for use in surge absorption

### Homepage and Support

Renesas Technology Homepage ----- <http://renesas.com/>  
 Contact Us ----- <http://renesas.com/inquiry>

**Latest application information on here.**

<http://www.renesas.com/applications>